

traxon



64PXL Tile Matrix RGB



PA.TI.7110100

The new 64PXL Tile Matrix RGB is a 64 individually addressable pixels building block, that can transform any wall, floor, ceiling, or any other interior application into a visually compelling environment. With its clearly defined 62.5mm/2.5" pixel pitch and TX Connect, the 64PXL matrix panel is ideal for displaying low resolution video, text, and animations.



PRODUCT SPECIFICATIONS

- **Light Source:** 64 High intensity LEDs
- **Color Range:** 16.7 million additive RGB colors
- **Color Resolution:** 14-bit (Gamma correction)
- **Beam Angle:** –
- **Cover Lens:** –
- **LED Pitch:** 62.5mm / 2.46"
- **Housing:** Translucent molded high grade diffusion plastic front cover. Plastic molded PS back cover.
- **Adjustment Options:** –
- **Size:** 500mm x 500mm x 95mm / 19.7" x 19.7" x 3.75"
- **Weight:** 5.5kg / 12.1lbs
- **Regulatory Listing & Safety Approval:** CE
- **Operating Temperature:** 0°C ~ +40°C / 32°F ~ 104°F
- **Storage Temperature:** -20°C ~ +70°C / -4°F ~ 158°F
- **Rating:** Indoor
- **Humidity:** 0 ~ 90% non-condensing

ELECTRICAL SPECIFICATIONS

- **Operating Voltage:** 24V DC
- **Power Consumption:** 36W max.

SYSTEM SPECIFICATIONS

- **Power/Data Interface:** TX CONNECT Smart
- **Control:** DMX512
- **Power Supply:** LED Engine Smart
- **Addressing Options:** DMX Auto-Addressing

LED CHARACTERISTICS Because LEDs are semiconductor devices, their performances are subject to inherent variability commonly found in semiconductor industry. To improve consistency in performance across the same product, LED manufacturers "sort" LEDs into bins according to different preset parameters, such as forward driving voltage, illumination, etc. Whereas binning is a sorting function, it is not a correction process. Inherent variability in the manufacturing process results always in different binning distributions according to different production lots. Traxon uses automatically binned LEDs on its products, thereby minimizing output variations within the model range.

As with all electronic devices, LED output degrades over time – a term called lumen depreciation. This also explains why it is nearly impossible to expect photometric performances of two LED products with different service life spans to be the same. The rate of LED degrade is a complicate function of many factors such as operating efficiency, duration of continuous operation, and more significantly, environmental conditions (ambient temperature for example). If allowed working under optimal operating temperature range and with good ventilation, LED devices enjoy long service lives over conventional light sources. When using/installing LED devices, care should be taken to ensure that the devices will operate within the operating conditions specified in respective product literature.

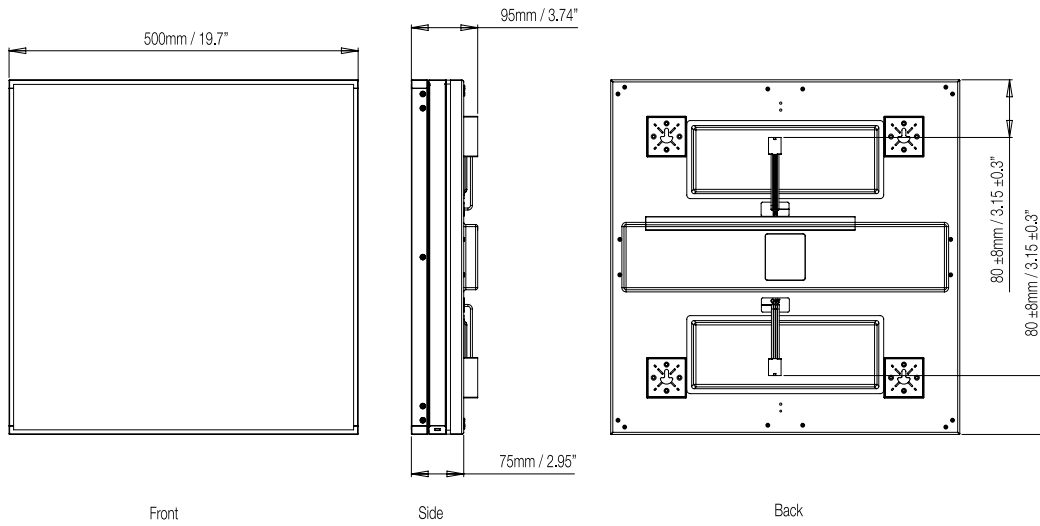
traxon



64PXL Tile Matrix RGB

Dimensions

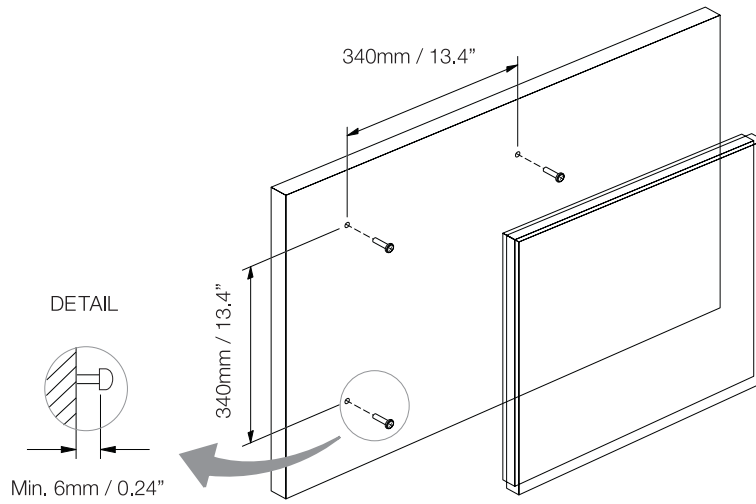
TECHNICAL DRAWING





MOUNTING

Wall Mounting



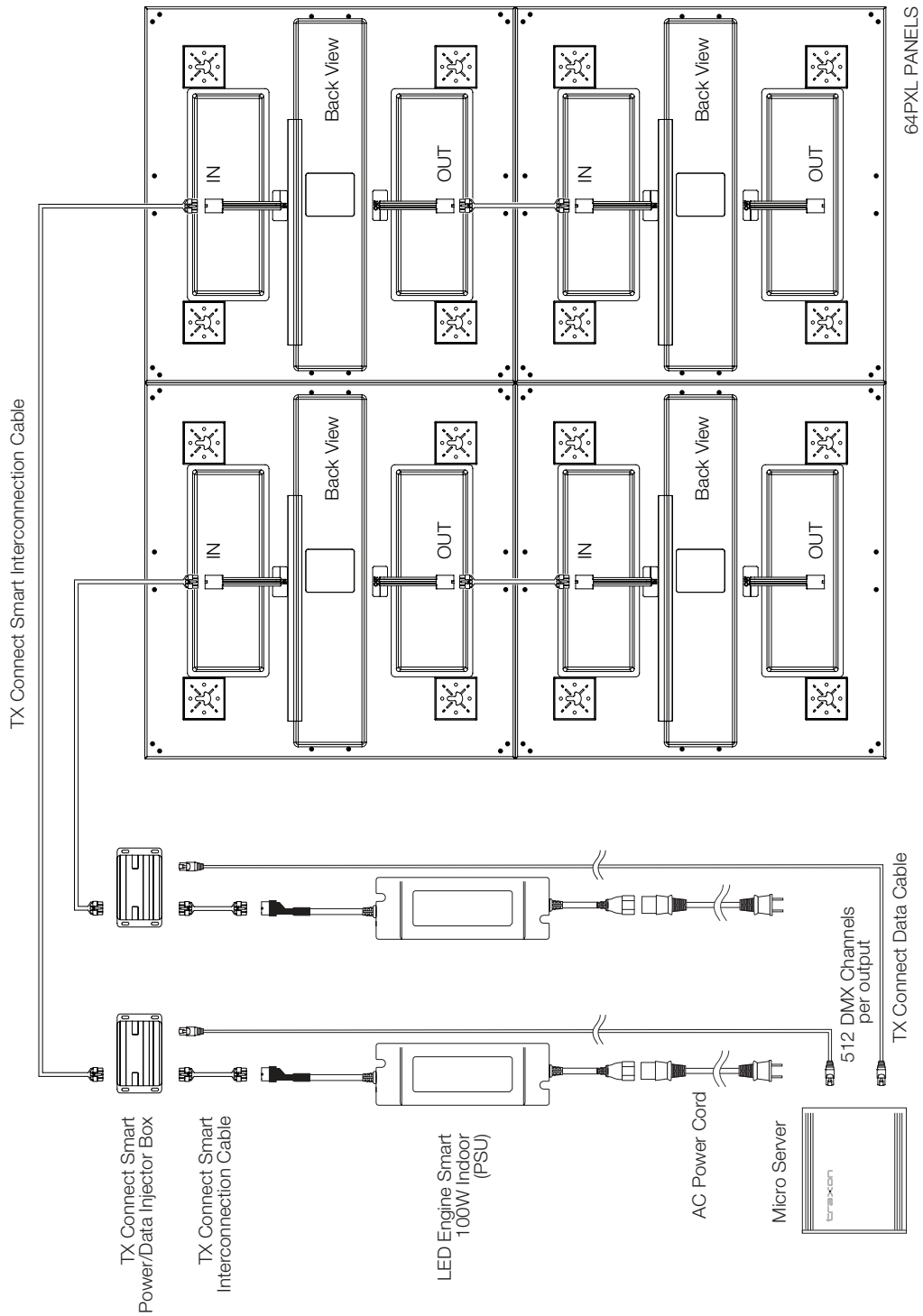
Mounting Accessories



4 x BH ST 20 Screws



SYSTEM DIAGRAM





STANDARD ACCESSORIES (included in delivery)

Model No.	Description
TI.IC.0060000	TX CONNECT Smart Indoor Interconnection Cable, 60cm/23.62"
	4 x Mounting Screws

TX CONTROL

Model No.	Description
CS.MA.5000000	Micro Server

TX CONNECT

Model No.	Description
TI.ZI.0000100	TX CONNECT Smart Power/Data Injector Box
TI.DO.0000100	TX CONNECT Smart Data Extractor Box
TI.EC.0050000	TX CONNECT Smart Indoor Extension Cable, 0.5m/1.64ft
TI.EC.0100000	TX CONNECT Smart Indoor Extension Cable, 1m/3.28ft
TI.EC.0300000	TX CONNECT Smart Indoor Extension Cable, 3m/9.84ft
TI.EC.0500000	TX CONNECT Smart Indoor Extension Cable, 5m/16.4ft
TI.EC.1000000	TX CONNECT Smart Indoor Extension Cable, 10m/32.8ft
DI.IC.0100000	TX CONNECT Data Cable, 1m/3.28ft

TX POWER

Model No.	Description
PS.IA.0010000	LED Engine Smart 100W Indoor
PS.AC.0000100	AC Power Cord, 2m/6.6ft (EU)
PS.AC.0000200	AC Power Cord, 2m/6.6ft (US)
PS.AC.0000300	AC Power Cord, 2m/6.6ft (UK)
PS.AC.0000400	AC Power Cord, 2m/6.6ft (AU)
PS.AC.0000500	AC Power Cord, 2m/6.6ft (JP)