

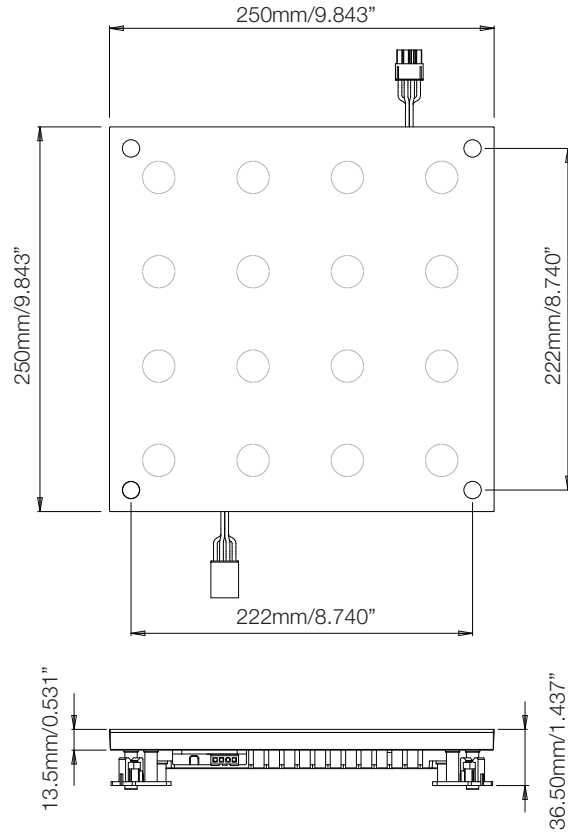
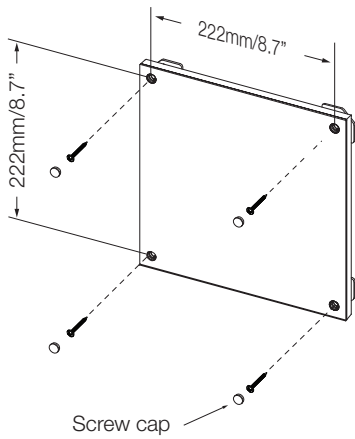


BEFORE MOUNTING, PLEASE READ THE USER MANUAL FOR CABLING AND CONNECTION DETAILS.

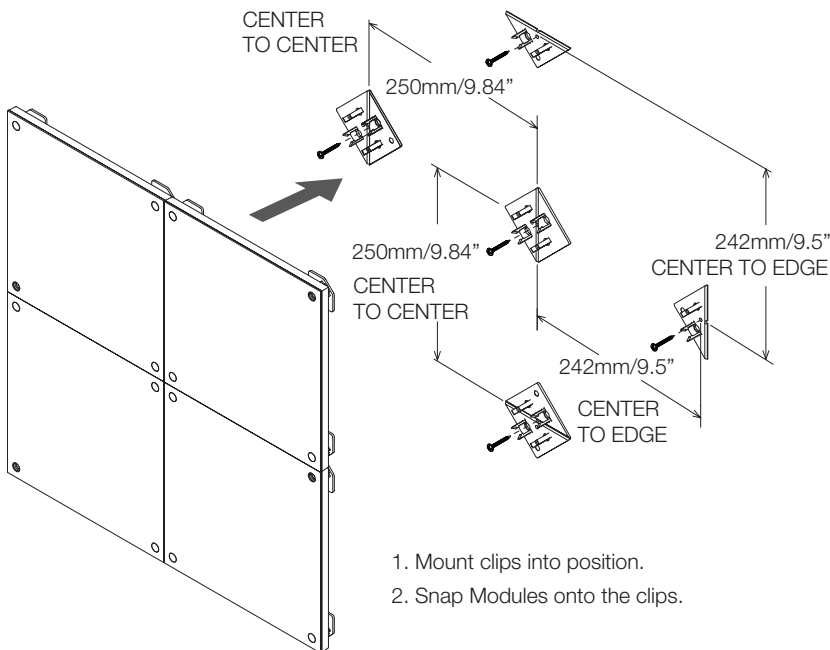
Mounting Guide

16PXL MODULE RGB

SCREW MOUNTING



QUICK CLIP MOUNTING



1. Mount clips into position.
2. Snap Modules onto the clips.